

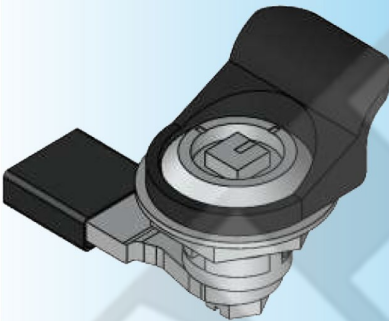
For Product Step File or 3D Model Send a Request Mail To [info@nrack.com](mailto:info@nrack.com)



Photo View



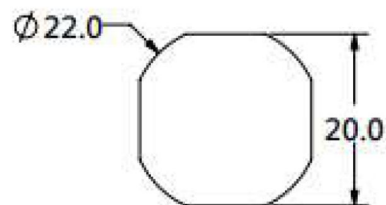
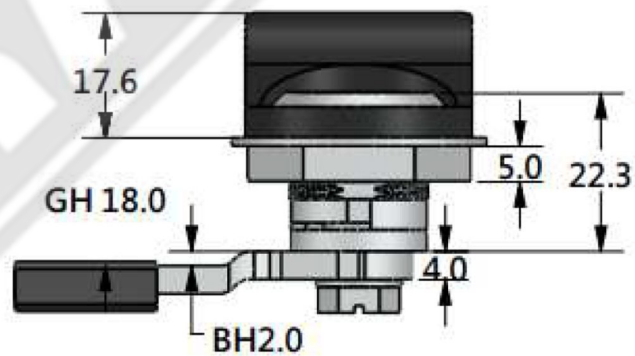
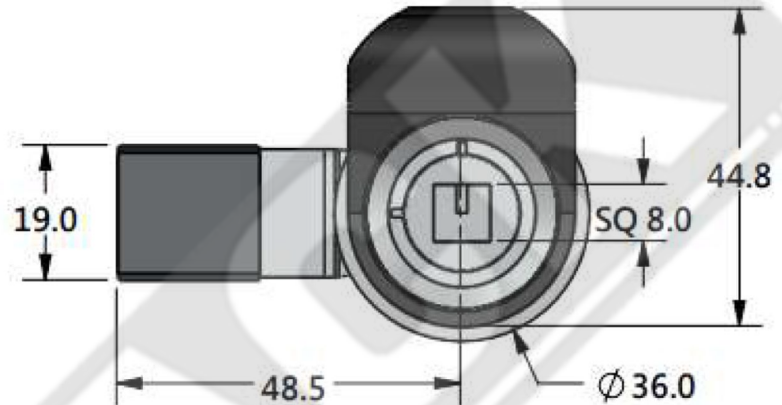
3D Rendered View



**PL - 28**

- Material: Zinc Die Casting Housing, Blue Steel cam, PA6 Finger Cap
- Finish: Chrome Plating

## Compression Locks (Anti Vibration Lock)



**CUT OUT**